

The list of replacement of Multi Transformer Model

Summary	Dwg. No.	Model Number	Rated Capacity (kVA)	Frequency (Hz)	Input Voltage (V)	Secondary voltage		Turn ratio		Overall dimensions			Mounting dimensions			Weight (kg)	Body color	Corresponding cable diameter or	Remarks			
						TAP L	TAP H	TAP L	TAP H	A	B	C	D	E	F							
With Tap changer 2 secondary circuit	1	WT4T-90-385-A	90	50	380	5.8	7.0	65	54	564	197	260	178	330	127	106	Orange	a 2 x φ12~16	Switch able output voltage Compatible with CE and RoHS			
		WT4T-90-405-A			400	6.1	7.4															
		WT4T-90-415-A			415	6.3	7.6															
		WT4T-100-466-A			460	7.0	8.5															
	2	WT4T-105-486-A	105	50/60	480	7.3	8.8	31	25	564	197	260	178	330	127	106	Orange	b: 2 x φ16~20				
		WT4T-70-200-A	70		200	6.4	8.0															
	3	WT4T-100-386-A	100	60	380	6.4	7.9	59	48	544	197	260	178	330	127	100	Orange	a 2 x φ12~16				
		WT4T-100-406-A			400	6.7	8.3															
		WT4T-110-446-A			440	7.4	9.1															
	4	WT4T-115-385-A	115	50	380	7.4	9.0	51	42	624	197	260	178	390	127	126	Dark green	b 2 x φ16~20				
		WT4T-115-405-A			400	7.8	9.5															
		WT4T-115-415-A			415	8.1	9.8															
		WT4T-130-466-A			460	9.0	10.9															
	5	WT4T-135-486-A	135	60	480	9.4	11.4	45	38	604	197	260	178	390	127	119	Dark green	b 2 x φ16~20				
		WT4T-125-386-A			380	8.4	10.0															
		WT4T-125-406-A			400	8.8	10.5															
	6	WT4T-150-385-A	150	50	380	9.7	11.5	39	33	674	197	260	178	440	127	142	White	b 2 x φ16~20				
		WT4T-150-405-A			400	10.2	12.1															
		WT4T-150-415-A			415	10.6	12.5															
		WT4T-170-466-A			460	11.7	13.9															
7	WT4T-180-486-A	180	60	480	12.3	14.5	36	30	654	197	260	178	440	127	134	White	b 2 x φ16~20					
	WT4T-175-386-A			380	10.5	12.6																
	WT4T-175-406-A			400	11.1	13.3																
Without Tap changer 2 secondary circuit	8	WT4N-115-205-A	115	50	200	9.5	21	596	197	260	178	390	127	123	Dark green	b: 150sq						
		WT4N-125-206-A	125	60	200	10.5	19	576	197	260	178	390	127	116	Dark green	b: 150sq						
		WT4N-150-205-Z-A	150	50	200	11.7	17	646	197	260	178	440	127	140	White	c: 200sq						
	9	WT4N-175-206-Z-A	175	60	200	13.3	15	626	197	260	178	440	127	134	White	c: 200sq						
		WT4N-165-385-A	165	50	380	14.0	27	731	197	260	178	500	127	165	Red	a: 100sq						
	WT4N-165-405-A	400			14.8																	
	WT4N-165-415-A	415			15.3																	
	10	WT4N-190-466-A	190	60	460	17.0	24	806	197	260	178	575	127	187	Black	b: 150sq						
		WT4N-195-486-A			480	17.7																
		WT4N-200-385-A			380	15.8																
	11	WT4N-200-405-A	200	50	400	16.6	24	806	197	260	178	575	127	187	Black	b: 150sq						
		WT4N-200-415-A			415	17.2																
		WT4N-230-466-A			460	19.1																
	12	WT4N-240-486-A	240	60	480	20.0	21	806	197	260	178	575	127	187	Black	b: 150sq						
		WT4N-190-386-A			380	15.8																
13	WT4N-190-406-A	190	60	400	16.6	24	731	197	260	178	500	127	165	Red	a: 100sq							
	WT4N-205-446-A			440	18.3																	
	WT4N-240-386-A			380	18.0																	
14	WT4N-240-406-A	240	60	400	19.0	21	806	197	260	178	575	127	187	Black	b: 150sq							
	WT4N-260-446-A			440	20.9																	
	WT4N-260-446-A			260	440											20.9						
With Tap changer 1 secondary circuit	16	WT4S-45-385-A	45	50	380	5.2	5.8	6.4	7.0	72	65	59	54	552	136	260	178	330	64	76	Orange	a: φ28~32
		WT4S-45-405-A			400	5.5	6.1	6.7	7.4													
		WT4S-45-415-A			415	5.7	6.3	7.0	7.6													
		WT4S-50-466-A			460	6.3	7.0	7.7	8.5													
	17	WT4S-50-486-A	50	60	480	6.6	7.3	8.1	8.8	66	59	53	48	542	136	260	178	330	64	74	Orange	a: φ28~32
		WT4S-50-386-A			380	5.7	6.4	7.1	7.9													
	18	WT4S-50-406-A	50	60	400	6.0	6.7	7.5	8.3	36	32	29	27	552	136	260	178	330	64	76	Orange	b: φ36~40
		WT4S-55-446-A			440	6.6	7.4	8.3	9.2													
	19	WT4S-45-205-A	45	50	200	5.6	6.3	6.9	7.4	32	28	25	23	542	136	260	178	330	64	74	Orange	b: φ36~40
		WT4S-50-206-A			200	6.3	7.1	8.0	8.7													

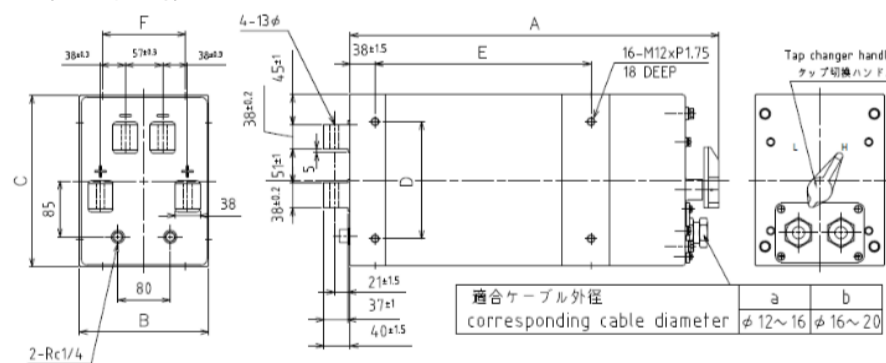
<Note>

1. Except for MUE90-225 and MUE100-226, overall dimensions and mounting holes dimensions are same.

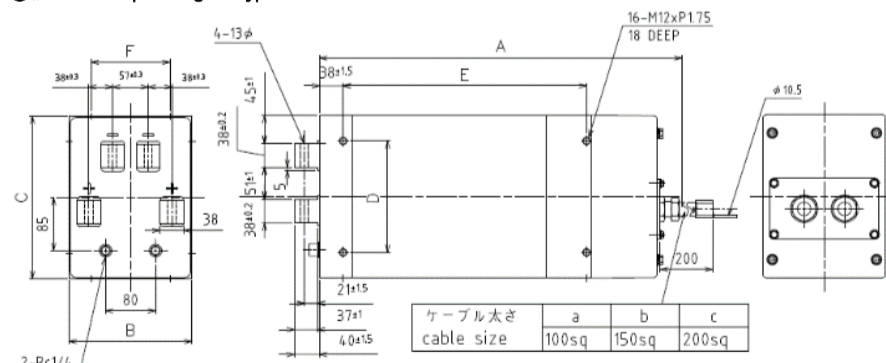
It will be integrated as MUE90-225 is to WT4N-115-205-**, MUE100-226 is to WT4N-125-206-**.

2. At end of new model number WT4 「*」 It will have H or Z. It indicates materials of core and we recommend Z type if you use AC inverter type.

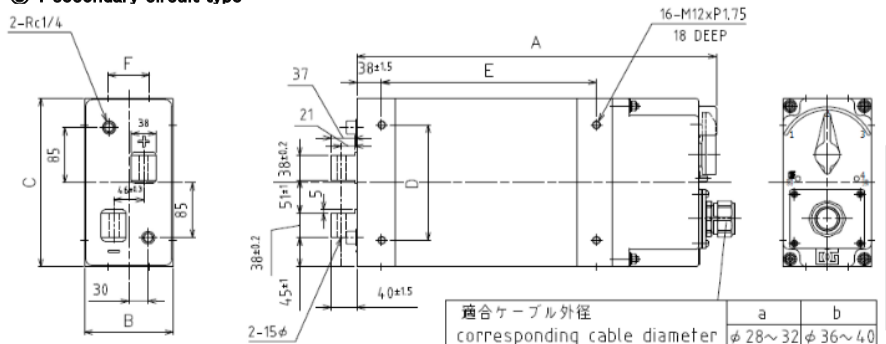
① Tap changer type



② Without Tap changer type



③ 1 secondary circuit type



Model
WT4T-115-405-H-B
① ② ③ ④ ⑤

① Summary
T...With Tap changer
2 secondary circuit
N...Without Tap changer
2 secondary circuit
S...With Tap changer
1 secondary circuit

② Rated capacity
ex) 115...115kVA

③ Input voltage and frequency
385...380V 50Hz
405...400V 50Hz
415...415V 50Hz
466...460V 60Hz
486...480V 60Hz
386...380V 60Hz
406...400V 60Hz
446...440V 60Hz
200...200V 50,60Hz
205...200V 50Hz
206...200V 60Hz

④ Core Grade
H...Standard type
Z...Low iron loss type
※No mark is a fixed value and cannot be selected.

⑤ Option
A...None
B...with bas bar (4S0453)
C...with thermo sw harness
D...B+C
※1 secondary circuit type has no options

Optional bas bar
Model 4S0453

